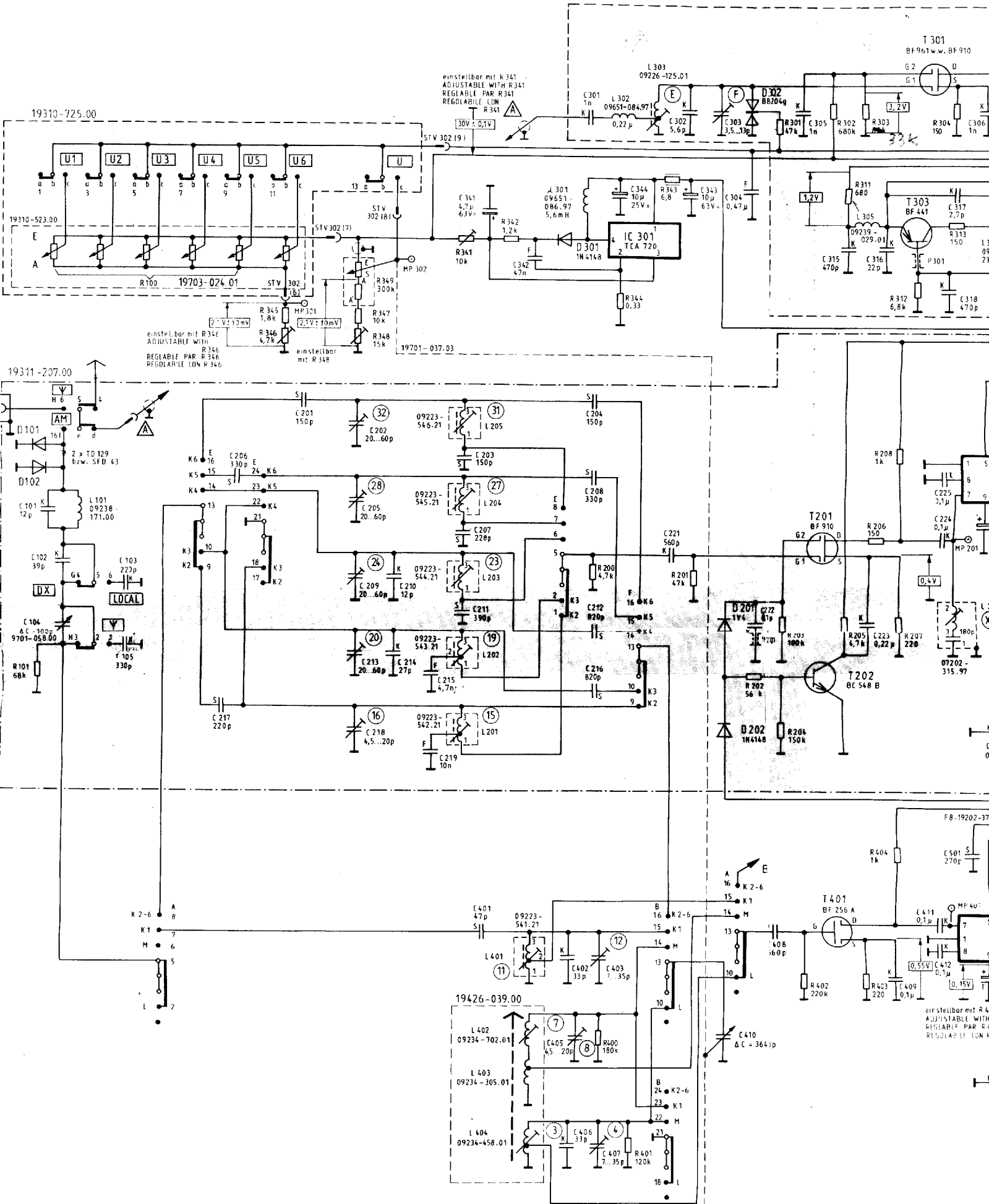


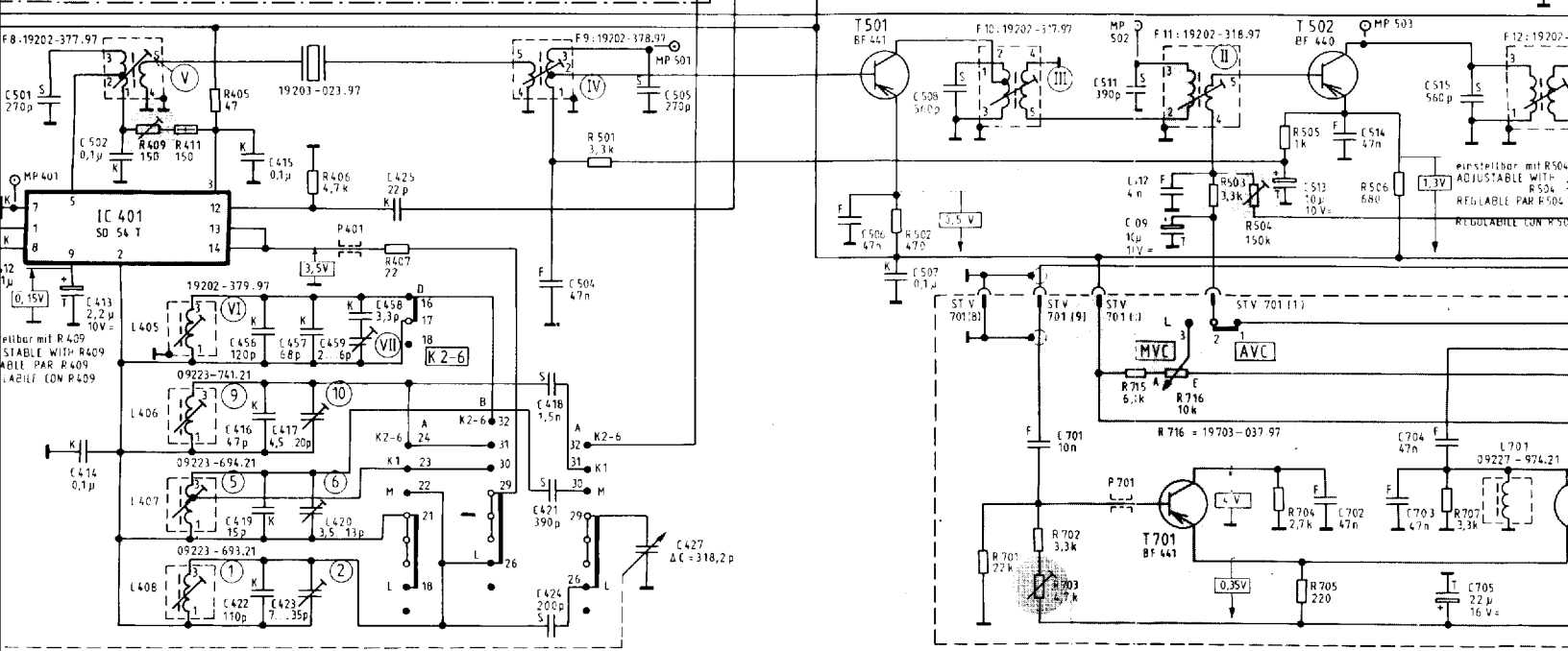
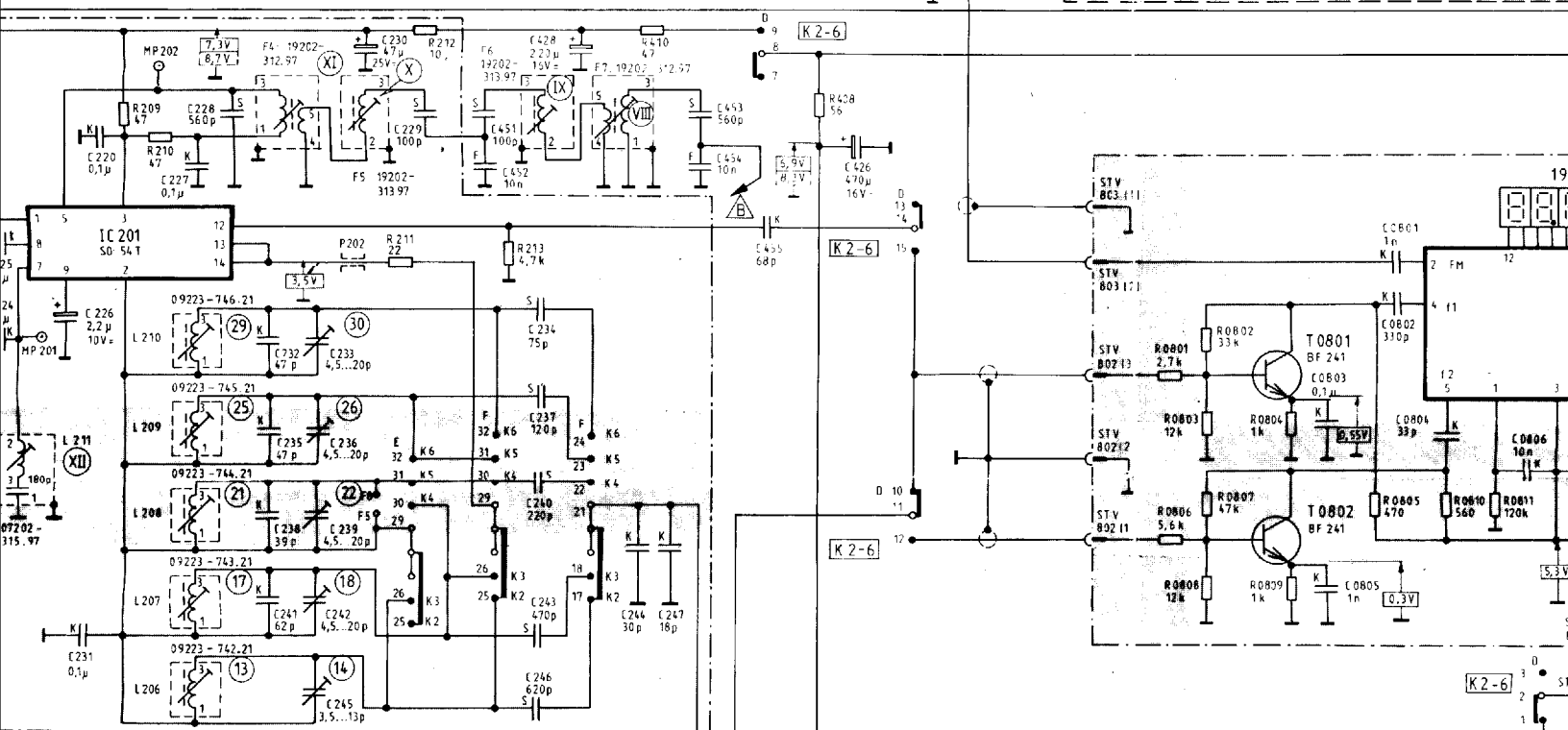
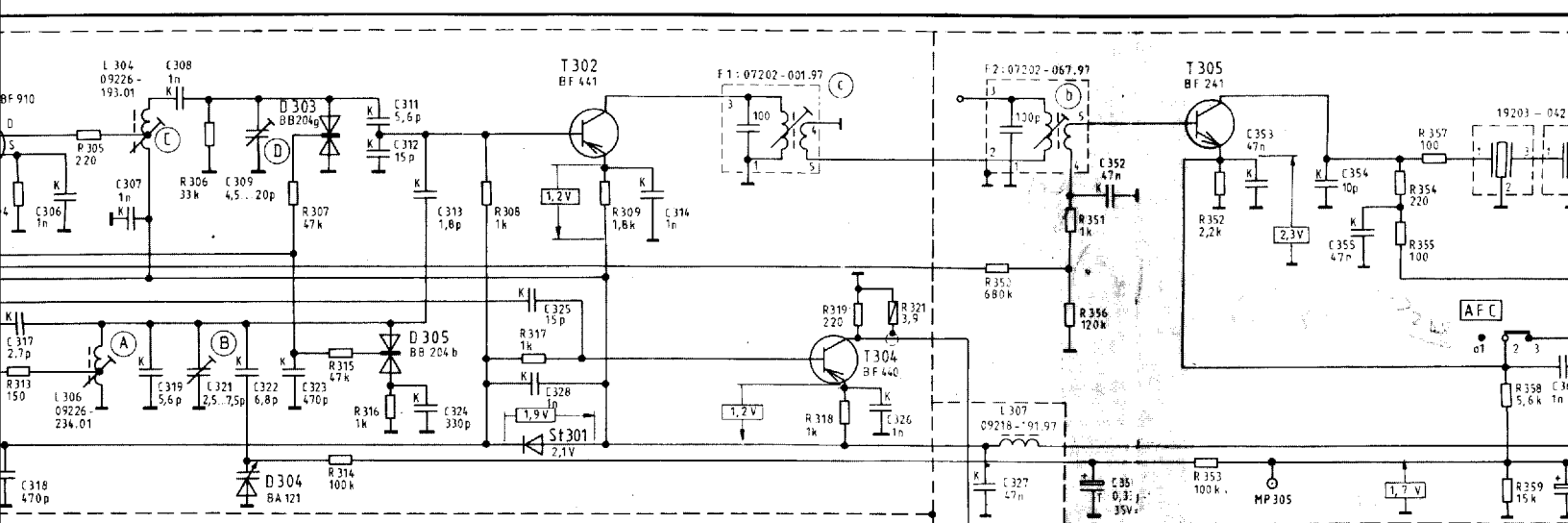
Grundig  
Satellit 2400 professional

(1978)

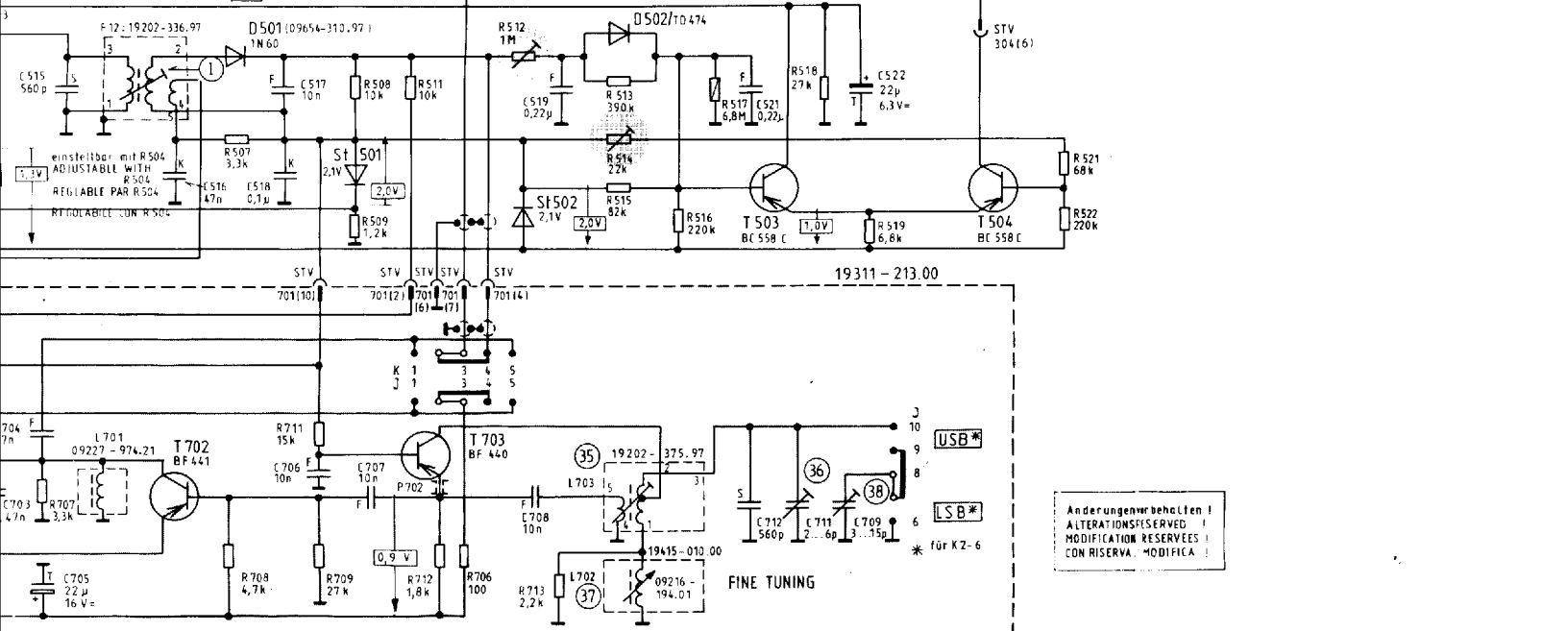
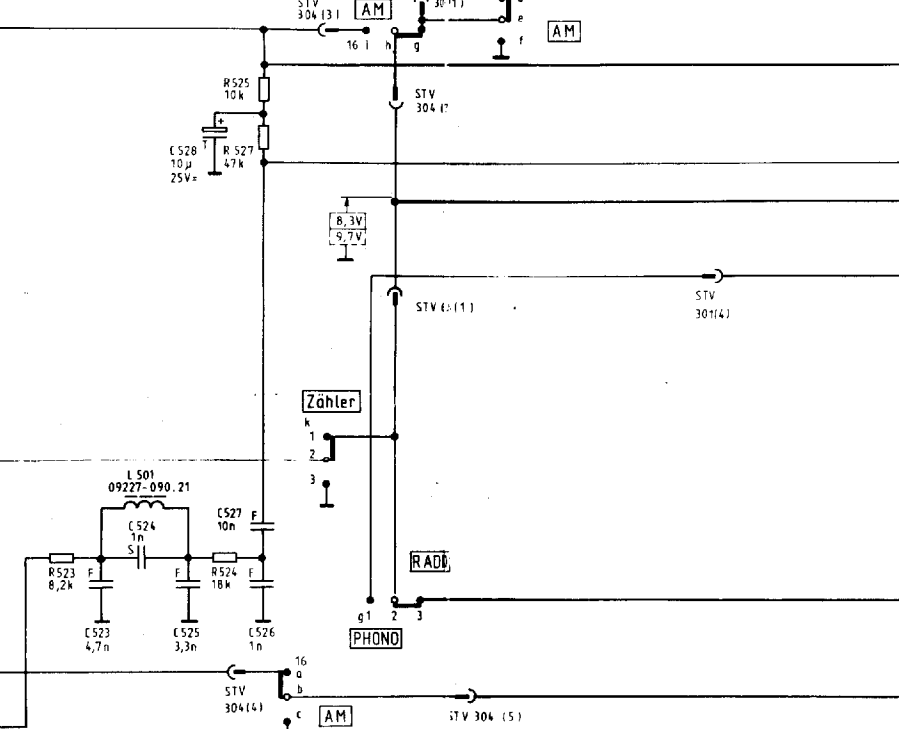
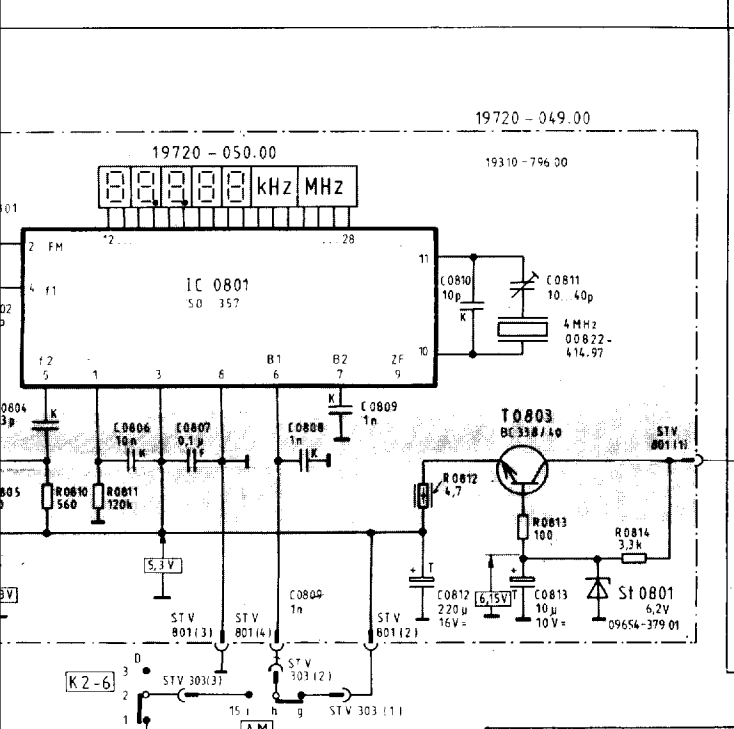
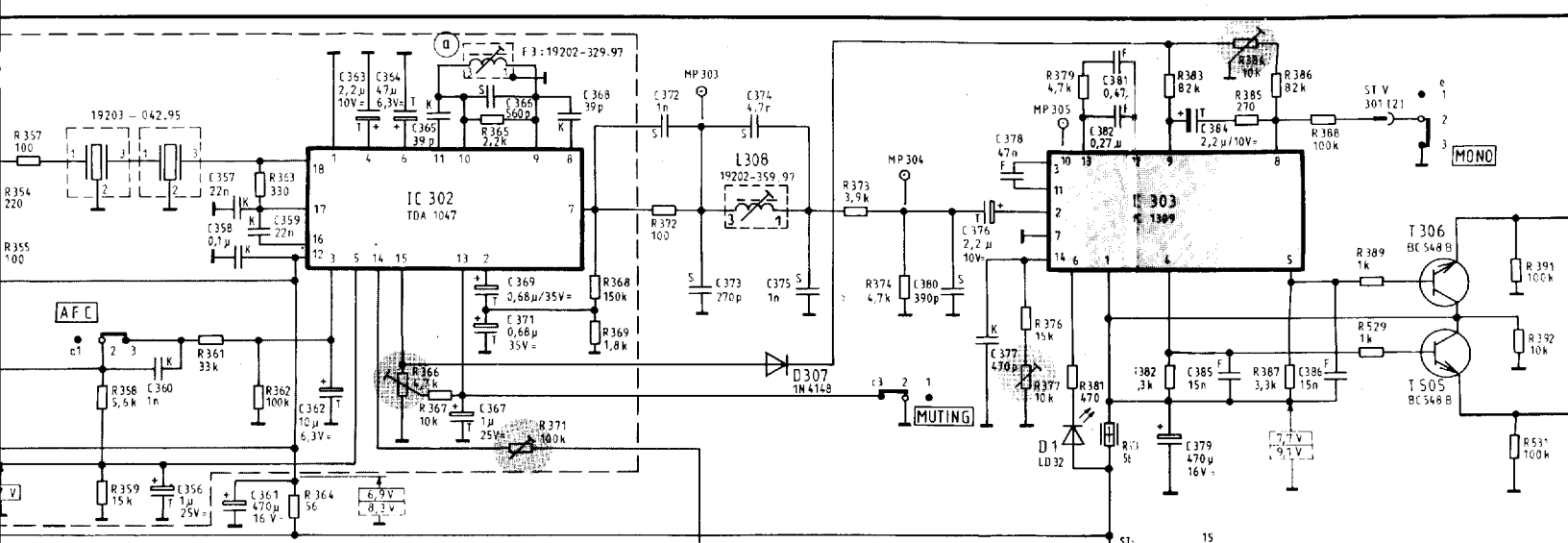




101, 102, 103, 104, 105, 217, 206, 201, 202, 205, 210, 210, 213, 218, 214, 219, 211, 215, 203, 207, 401, 341, 342, 301, 344, 204, 208, 212, 216, 402, 406, 403, 405, 407, 344, 343, 304, 410, 222, 305, 412, 222, 305, 315, 316, 224, 225, 317, 318, 306, 226, 226, 223, 409, 411, 412, 501, 413, 101, 302, 311, 303, 312, 304, 313, 100, 345, 346, 347, 348, 349, 341, 342, 200, 400, 401, 343, 201, 202, 203, 204, 402, 205, 403, 206, 404, 207, 208,
---



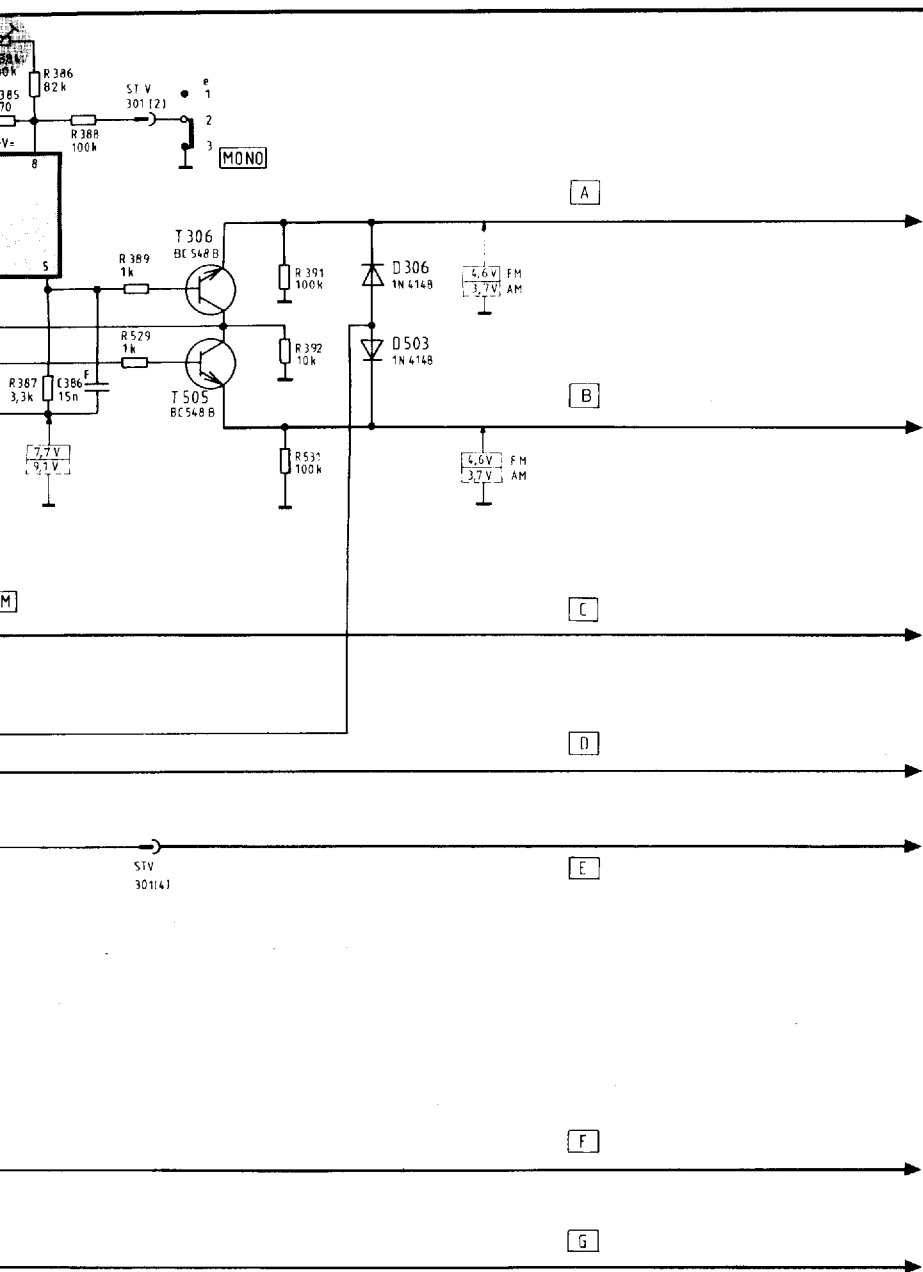
18, 206, 226, 220, 231	307, 319, 308, 321, 309, 322, 232, 233, 235, 323, 236, 238, 239, 230, 311, 312, 229, 324, 313, 451, 452, 325, 326, 234, 237, 240, 428, 314, 247, 506, 426, 326, 507,
12, 501, 613, 415, 502, 415, 227, 228, 456, 416, 419, 422, 241, 242, 245, 457, 417, 420, 423, 458, 459, 425, 424, 421, 418, 504, 243, 246, 244, 505, 427, 453, 454, 455,	508, 327, 703, 351, 352, 511, 509, 512, 513, 354, 0803, 0805, 355, 0803, 0802, 0804, 0806, 356, 513, 702, 514, 703, 702, 705, 515,
4, 313, 305, 209, 210, 306, 409, 411, 405	307, 314, 315, 316, 211, 212, 308, 213, 317, 309, 501, 410, 408, 318, 319, 321, 502,



80	802	804	806	356	807	261	357	358	808	359	362	363	364	365	167	366	369	371	368	372	373	374	523	375	524	525	528	380	376	377	378	381	382	379	384	385	386											
703	704	705	515	516	360	517	516	706	0809	707	0812	0811	0813	708	519								712	521	711	522	709	526	527																			
354	355	357	358	359	708	361	362	363	364	366	367	365	371	705	0814	368	369					372	516	517	523	518	373	374	525	527	376	377	381	379	383	382	384	385	386	387	388	389	391	392	531			
	703	0810	0811																																													

Anderungen vorbehalten !  
ALTERATIONS RESERVED !  
MODIFICATION RESERVES !  
CON RISERVA, MODIFICA !

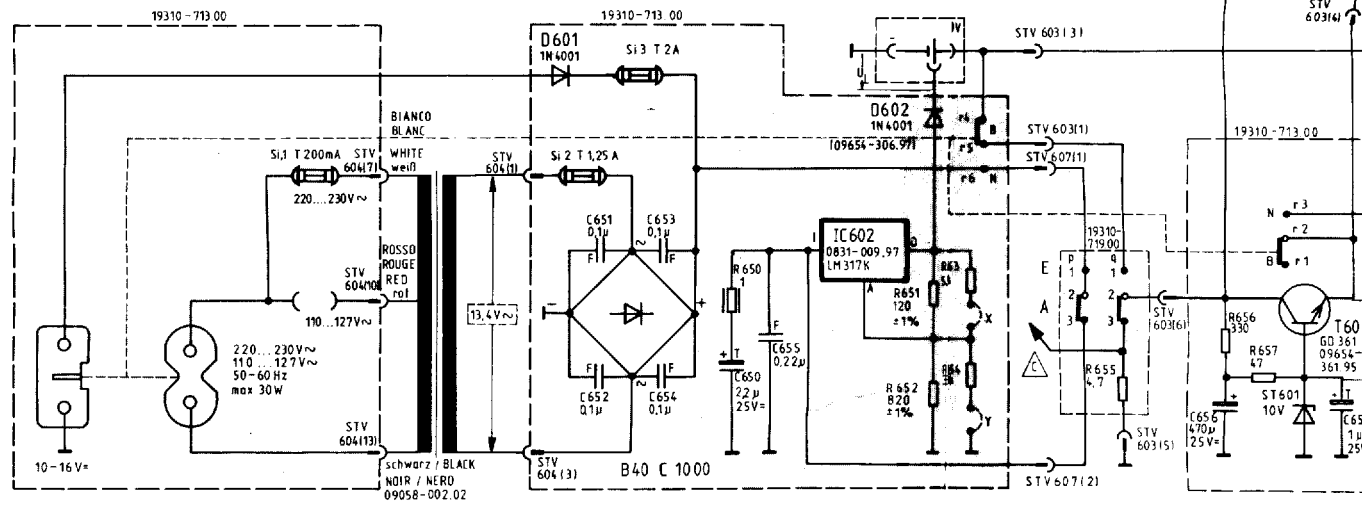
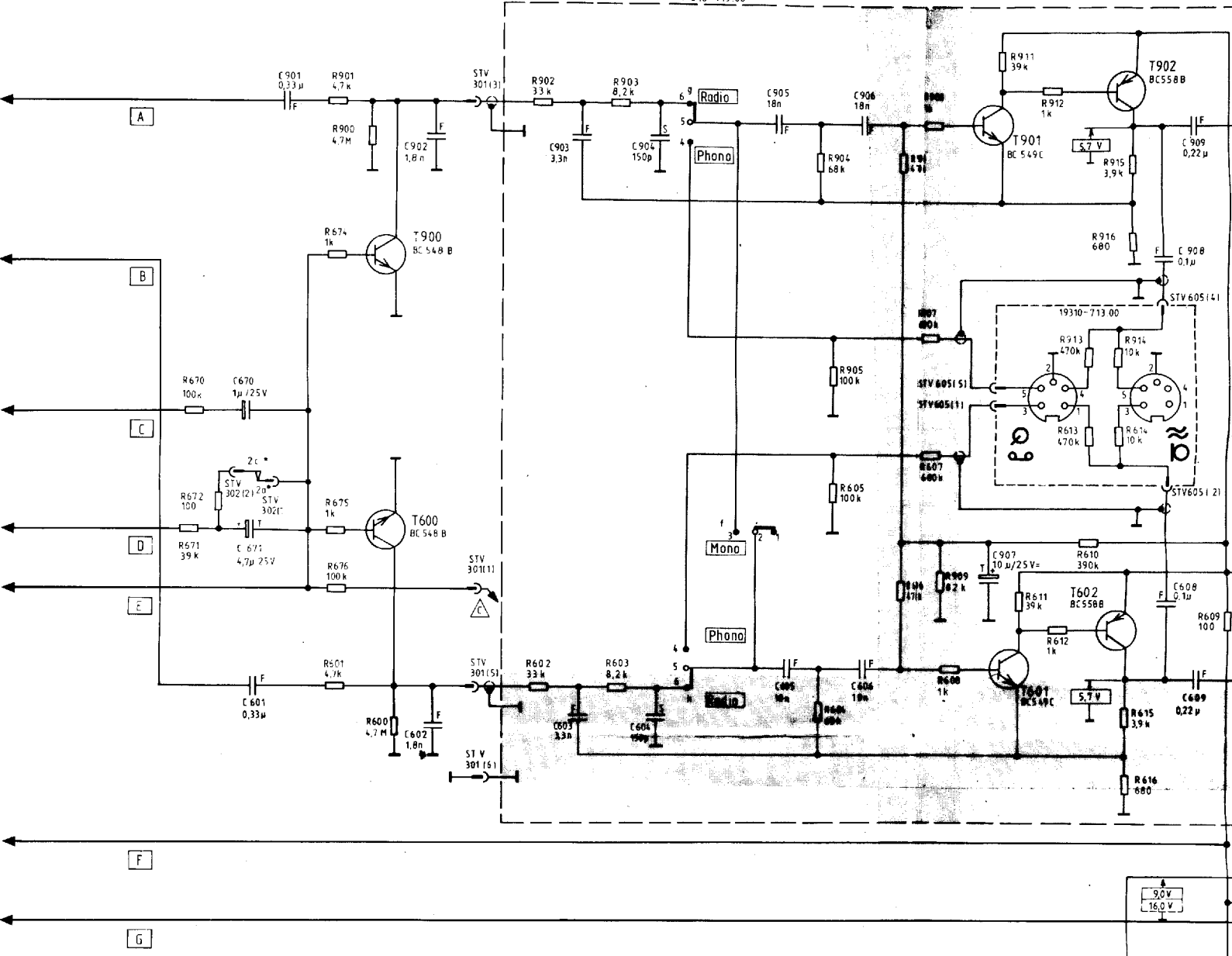
\* für K2-6



Satellit 2400 professional Stereo

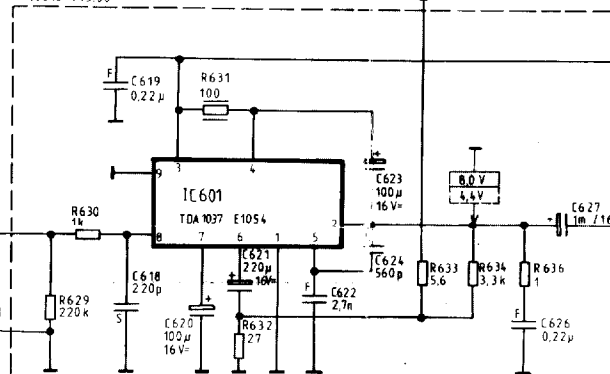
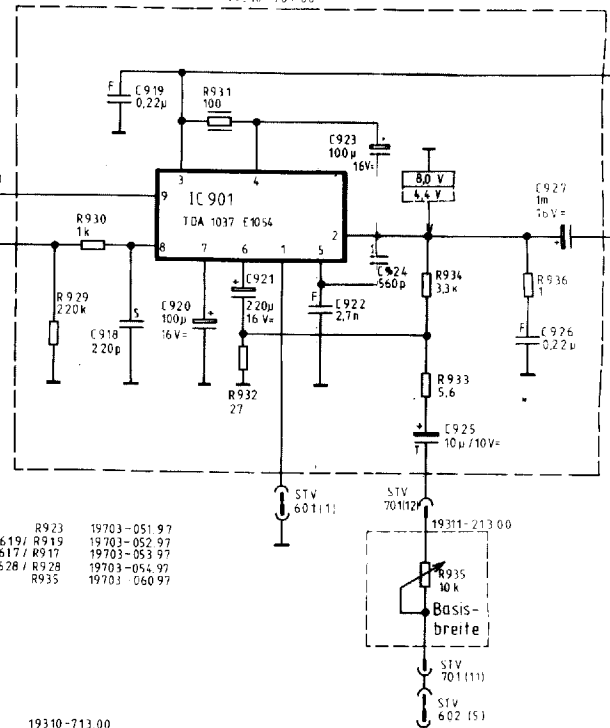
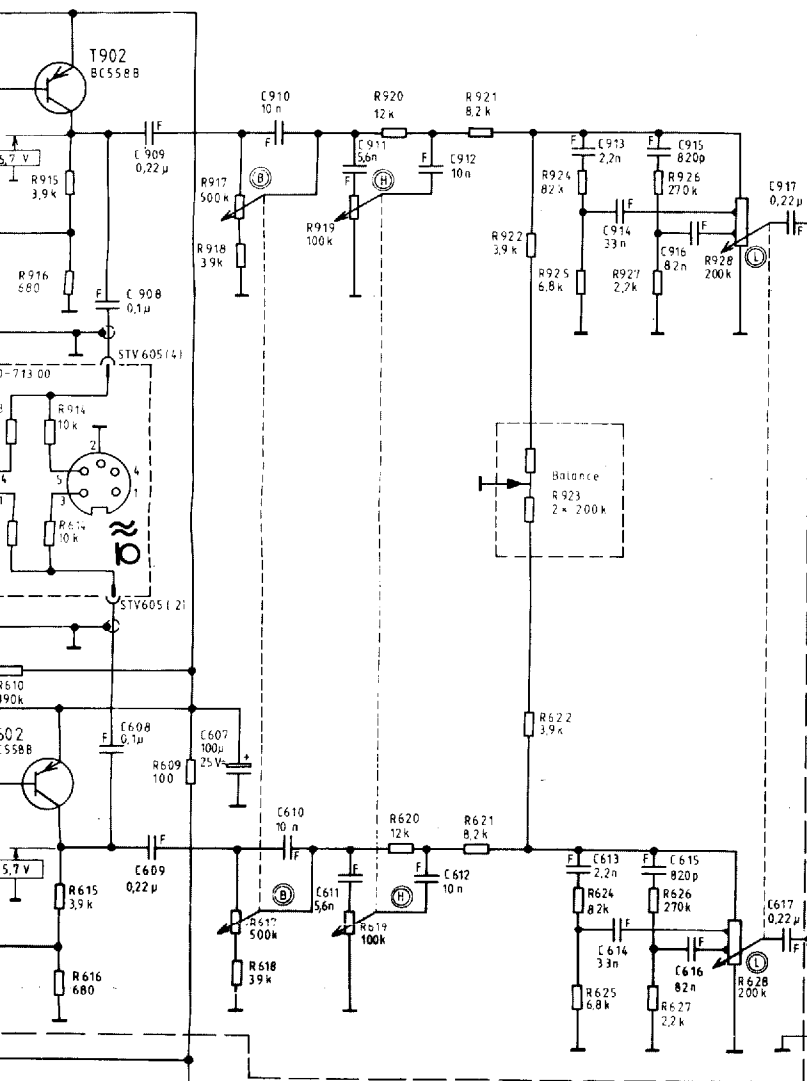
(15039-906.01)

386,	:C
385, 386, 387, 388, 389, 529,	:R
391, 392, 531,	

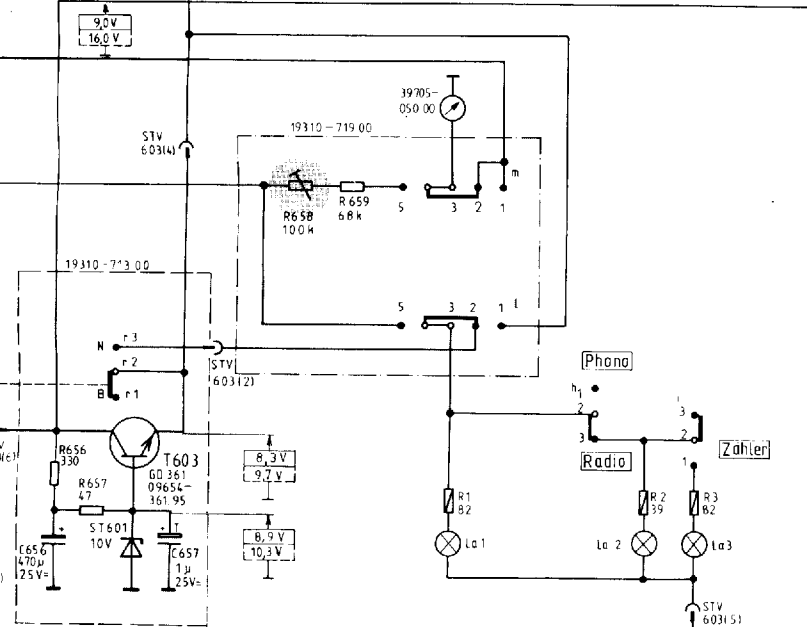


bei  $U_L < 90V$  X verbinden  
 bei  $U_L > 93V$  Y verbinden

C:	671, 901	902,	903,	651, 904, 653	905,	906,	907	908, 909
	670, 671, 601	602,	603,	652, 604, 654	650, 655, 605	606		656, 608, 609, 657
R:	671, 672,	674, 901, 900,	902,	903,	650,	904, 905	906, 907, 908, 909	911, 912, 655, 913, 914, 915, 916, 656
	670,	675, 676, 601, 600,	602,	603,	650	604, 605	651, 652, 653, 654, 607, 608	611, 612, 610, 613, 614, 615, 616, 657



- R 923 19703-051 97
- R 619/ R 919 19703-052 97
- R 617/ R 917 19703-053 97
- R 628/ R 928 19703-054 97
- R 935 19703-060 97



Spannungen gemessen bei  
VOLTAGES MEASURED AT  
TENSIONI MISURATE CON

- 9V Batterie
- 220V ~

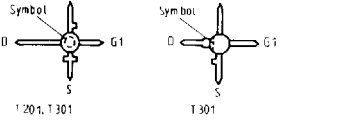
Wellenbereiche  
WAVE BANDS  
GAMMES D'ONDES  
GAMME D'ONDA

LW, 60,0L	14,5	320 kHz
MW, PD, DM	52,0	1620 kHz
K1, SW1, 001	1,6	35 MHz
K2, SW2, 002	3,5	27 MHz
K3, SW3, 003	7,7	12,5 MHz
K4, SW4, 004	12,5	18,2 MHz
K5, SW5, 005	18,2	23,5 MHz
K6, SW6, 006	23,5	28 MHz
UKW, FM	87,5	108 MHz

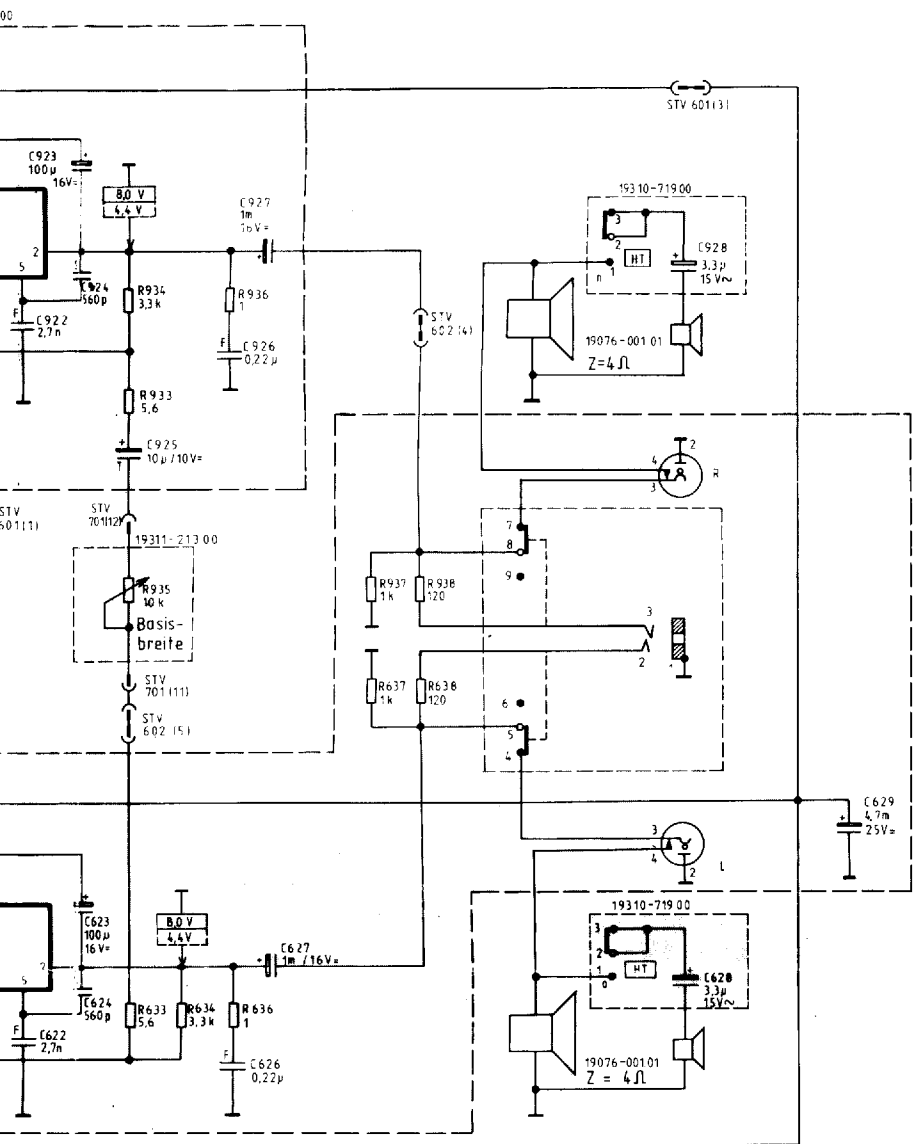
- 1ZF-AM - 2 MHz
- 2ZF-AM - 450 kHz
- ZF-FM - 10,7 MHz



- T302-T305
- 1501, 1502
- 1701-1703
- T0801, T0802
- T0803
- T202, T306
- 1503, T505
- T600-T602
- 1900-1902
- T0803
- T-01

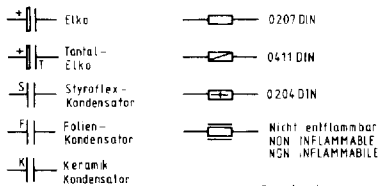
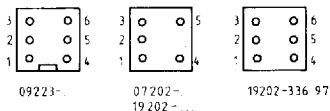


656	908, 909	910	911	912	614, 613, 915	916	917	919, 918	920, 921	922	913, 924	925	926, 927
657, 914, 915, 916, 656	608, 609, 657	610	611	612	914, 913, 615	616	617	619, 618	620, 621	622, 923	622, 613, 624	925	926, 627
658, 659	609, 617, 618	608, 619, 659	620	921, 1, 621	922, 924, 925, 927, 926, 2, 625	928	628	929, 930	931, 932	631, 632	933, 934	936	626, 627
659	609, 617, 618	609, 617, 618	620	921, 1, 621	922, 923	624, 625, 627, 626	628	629, 630	631, 632	631, 632	933, 934	936	626, 627



Wellenbereiche  
WAVE BANDS  
GAMMES D'ONDES  
GAMME D'ONDES

LW, G0,0L	145	320 kHz
MW, P0,0M	520	1620 kHz
K1, SW1,001	1,6	3,5MHz
K2, SW2,002	3,5	7,7MHz
K3, SW3,003	7,7	12,5MHz
K4, SW4,004	12,5	18,2MHz
K5, SW5,005	18,2	23,5MHz
K6, SW6,006	23,5	28 MHz
UKW, FM	87,5	108 MHz
1 ZF-AM	-	2MHz
2 ZF-AM	-	460kHz
ZF-FM	-	10,7MHz



Ferritperle  
FERRITE BEAD  
PERLE FERRITE  
PERLA DI FE

09647-022 97 P301, P201  
P202, P401

09647-020 97 P701, P702

